



Luna  **Sola**  **Stella**



SIS

G E N E R A L C A T A L O G U E

SHINHUNG
IMPLANT
SYSTEM



SHINHUNG
IMPLANT
SYSTEM



SHINHUNG IMPLANT SYSTEM GENERAL CATALOGUE

01

Implant

SIS Features	4
Luna S	8
Sola S	22
Stella	30
Customized Abutment	40

02

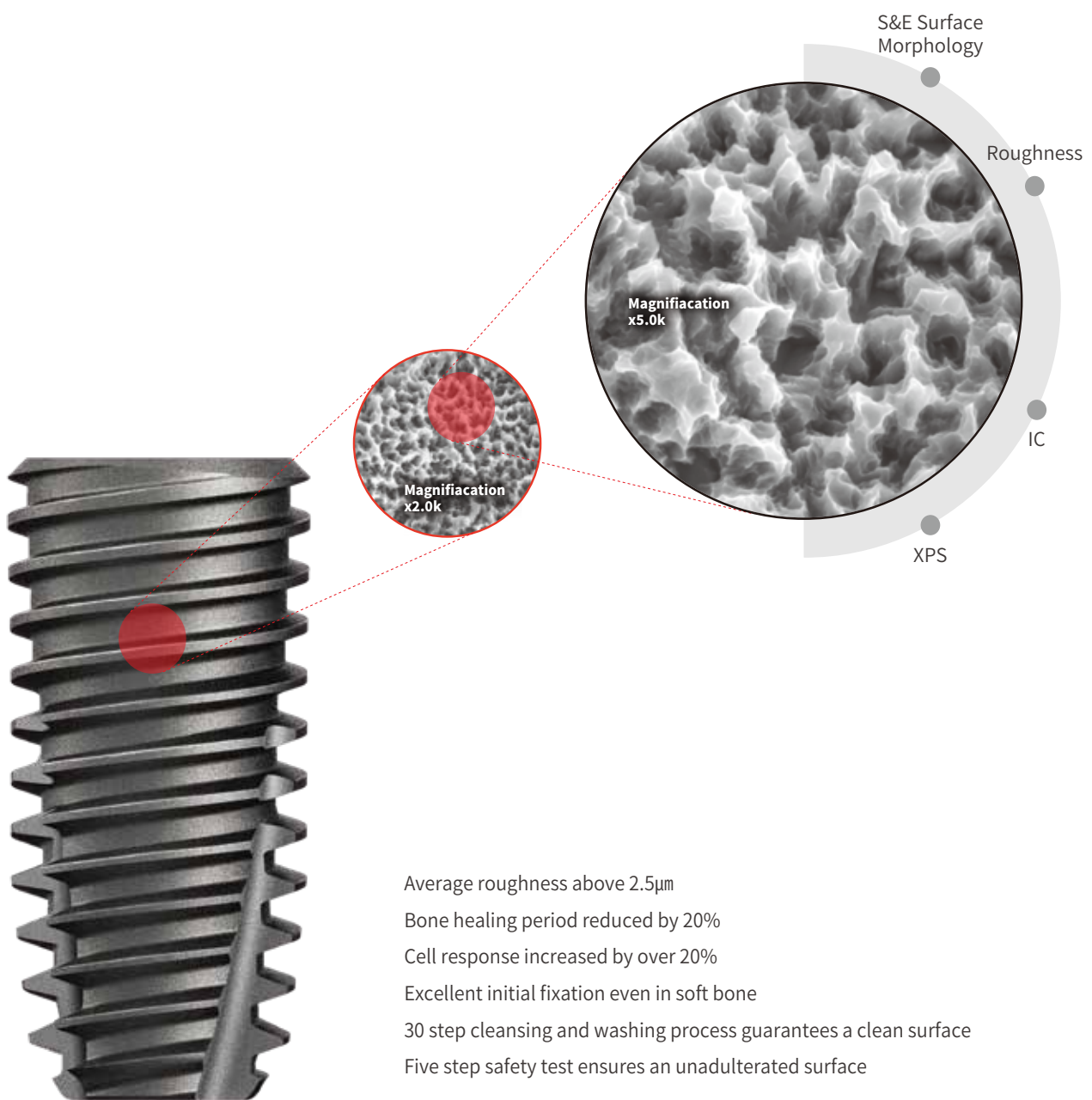
Instruments & Materials

Kit	42
Sinus Solution	49
Bone Profiler	52

Implant SIS Features

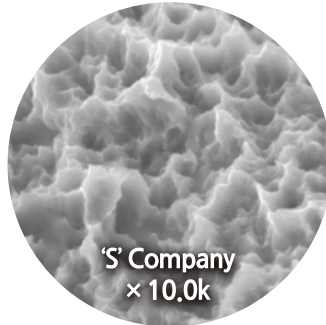
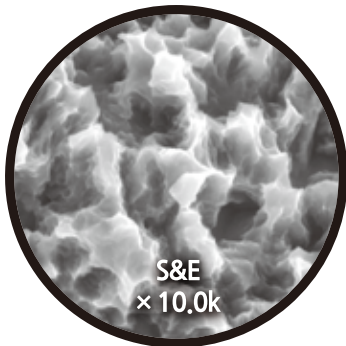
SIS-S&E Surface

Shinhung Implant System
Sand Blasted & Acid Etched



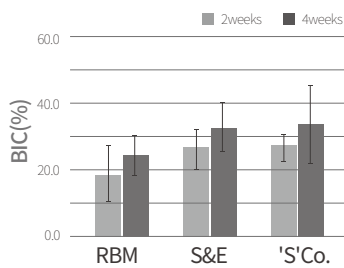
- Average roughness above 2.5 μ m
- Bone healing period reduced by 20%
- Cell response increased by over 20%
- Excellent initial fixation even in soft bone
- 30 step cleansing and washing process guarantees a clean surface
- Five step safety test ensures an unadulterated surface

S&E Surface Morphology



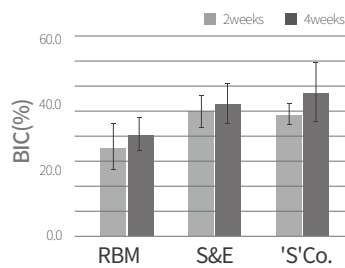
BIC (Bone Implant Contact)

New Bone Length / Total Length × 100



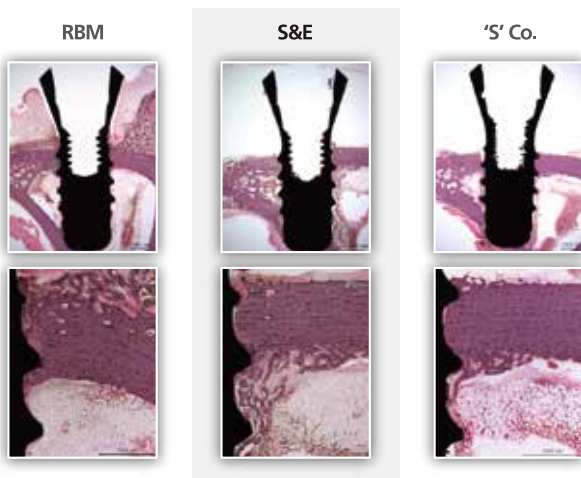
BA (Bone Area)

New Bone Area / Total × 100

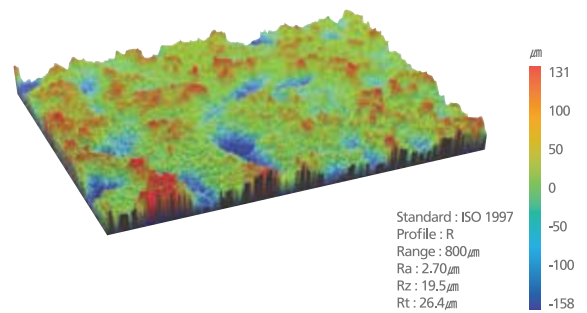


In vivo testing

New Zealand white rabbits, Tibia, n=6 /
Healing periods : 2weeks, 4weeks



Roughness



01

Implant SIS Features

S Body Design

Tapered - Straight - Tapered

Tapered Section -

Provides firm fixation in Crestal bone

Straight Section -

Provides stability and control of implant depth

Tapered Section -

When matched with the SISK drills, allows for easy depth control and additional stability
Through changes in the drill design, initial fixation is easily obtained even in thin Crestal bone

Clinical Examples





1st Thread

First thread designed to minimize bone absorption

Cortical Bone

Thread thickness is increased, improving initial fixation and preventing the need of excessive torque during implantation

Trabecular Bone

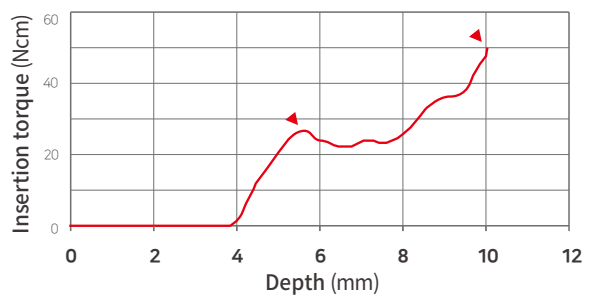
The straight section and lower taper section have a larger bone chip pocket space to increase the clamping force even in cancellous bone

Insertion Torque Test

As initial insertion torque values rise, initial stability increases and when combined with the stability of the S&E surface, loading time is decreased

By tuning the torque characteristics over the entire implant, differences in torque values are minimized

Stability & Stimulation for Torque distribution of implant



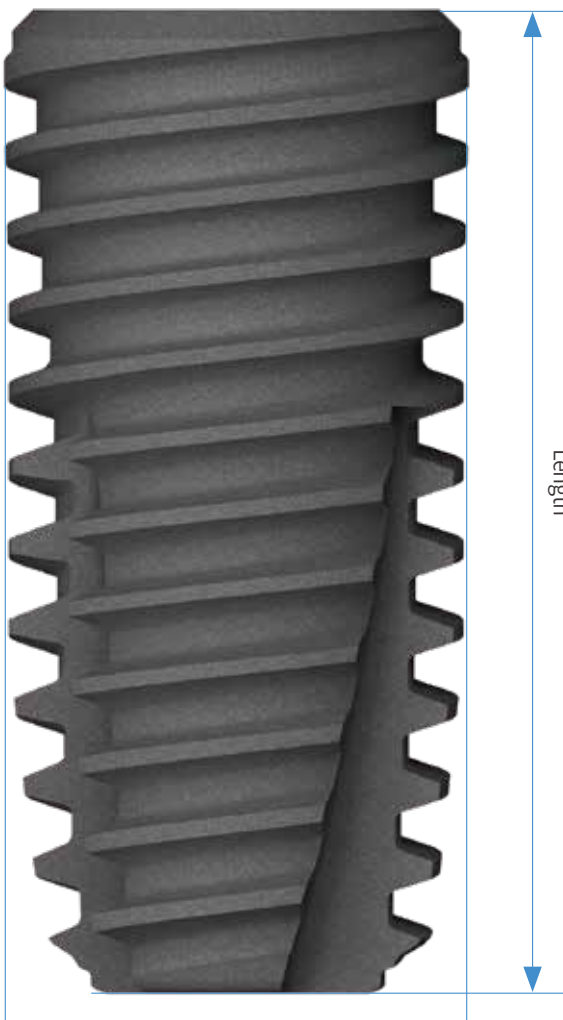
Self Cutting Edge

Through the straight cutting edge design, self tapping and path modification are possible
In the 7mm implant, self cutting is minimized through an increase in surface area, increasing stability



01

Implant Luna S



Body Diameter



Conical Hex Connection

NP : 2.1 Hex

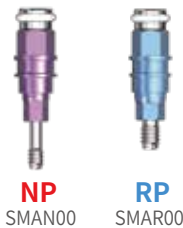
RP : 2.5 Hex



11° Conical Seal Design

11° Conical Seal Design ensures the strong and stable implant-abutment connection, and helps preserve the integrity of the peri-implant tissues

Mount



NP
SMAN00

RP
SMAR00

Cover Screw



NP
SCSN00

RP
SCSR00



Fixture

NP
Ø3.5

RP
Ø4.0

RP
Ø4.5

RP
Ø5.0

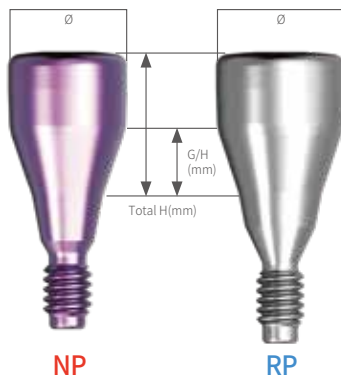
RP
Ø6.0

Length(mm)

Length(mm)	Mounting Options	NP (Ø3.5)	RP (Ø4.0)	RP (Ø4.5)	RP (Ø5.0)	RP (Ø6.0)
7	S&E Mount S&E No Mount		NSIR4007S NSIR4007SF	NSIR4507S NSIR4507SF	NSIR5007S NSIR5007SF	SIR6007S SIR6007SF
8.5	S&E Mount S&E No Mount	NSIN3508S NSIN3508SF	NSIR4008S NSIR4008SF	NSIR4508S NSIR4508SF	NSIR5008S NSIR5008SF	SIR6008S SIR6008SF
10	S&E Mount S&E No Mount	NSIN3510S NSIN3510SF	NSIR4010S NSIR4010SF	NSIR4510S NSIR4510SF	NSIR5010S NSIR5010SF	SIR6010S SIR6010SF
11.5	S&E Mount S&E No Mount	NSIN3511S NSIN3511SF	NSIR4011S NSIR4011SF	NSIR4511S NSIR4511SF	NSIR5011S NSIR5011SF	SIR6011S SIR6011SF
13	S&E Mount S&E No Mount	NSIN3513S NSIN3513SF	NSIR4013S NSIR4013SF	NSIR4513S NSIR4513SF	NSIR5013S NSIR5013SF	SIR6013S SIR6013SF
15	S&E Mount S&E No Mount	NSIN3515S NSIN3515SF	NSIR4015S NSIR4015SF	NSIR4515S NSIR4515SF	NSIR5015S NSIR5015SF	

* For Posterior Single Case, over D4.5 mm is recommended

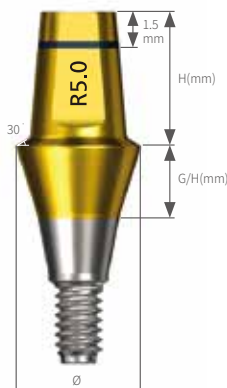
Implant Luna S



Healing Abutment

Recommended tightening torque : below 10Ncm

T/H	G/H	NP		RP			
		Ø4.0	Ø4.5	Ø4.0	Ø4.5	Ø5.0	Ø6.0
4	2	NSHAN4022	NSHAN4522	NSHAR4022	NSHAR4522	NSHAR5022	NSHAR6022
5	3	NSHAN4023	NSHAN4523	NSHAR4023	NSHAR4523	NSHAR5023	NSHAR6023
6	3	NSHAN4033	NSHAN4533	NSHAR4033	NSHAR4533	NSHAR5033	NSHAR6033
7	4	NSHAN4034	NSHAN4534	NSHAR4034	NSHAR4534	NSHAR5034	NSHAR6034
8	5	NSHAN4035	NSHAN4535	NSHAR4035	NSHAR4535	NSHAR5035	NSHAR6035



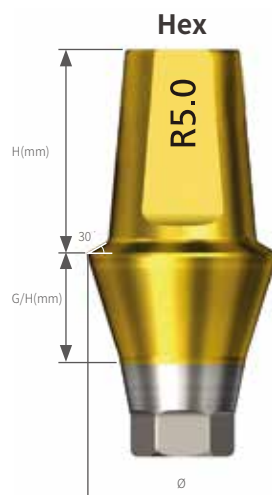
Simple Abutment

Recommended tightening torque : 30Ncm

	G/H	NP		RP			
		Ø4.0	Ø4.5	Ø4.0	Ø4.5	Ø5.0	Ø6.0
H4.0	1	SSPAN4041	SSPAN4541	SSPAR4041	SSPAR4541	SSPAR5041	SSPAR6041
	2	SSPAN4042	SSPAN4542	SSPAR4042	SSPAR4542	SSPAR5042	SSPAR6042
	3	SSPAN4043	SSPAN4543	SSPAR4043	SSPAR4543	SSPAR5043	SSPAR6043
	4	SSPAN4044	SSPAN4544	SSPAR4044	SSPAR4544	SSPAR5044	SSPAR6044
	5					SSPAR5045	SSPAR6045
H5.5	1	SSPAN4051	SSPAN4551	SSPAR4051	SSPAR4551	SSPAR5051	SSPAR6051
	2	SSPAN4052	SSPAN4552	SSPAR4052	SSPAR4552	SSPAR5052	SSPAR6052
	3	SSPAN4053	SSPAN4553	SSPAR4053	SSPAR4553	SSPAR5053	SSPAR6053
	4	SSPAN4054	SSPAN4554	SSPAR4054	SSPAR4554	SSPAR5054	SSPAR6054
	5					SSPAR5055	SSPAR6055
H7.0	1	SSPAN4071	SSPAN4571	SSPAR4071	SSPAR4571	SSPAR5071	SSPAR6071
	2	SSPAN4072	SSPAN4572	SSPAR4072	SSPAR4572	SSPAR5072	SSPAR6072
	3	SSPAN4073	SSPAN4573	SSPAR4073	SSPAR4573	SSPAR5073	SSPAR6073
	4	SSPAN4074	SSPAN4574	SSPAR4074	SSPAR4574	SSPAR5074	SSPAR6074
	5					SSPAR5075	SSPAR6075

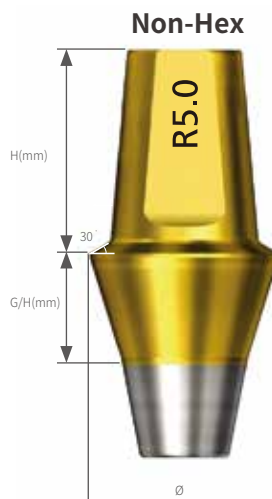
Duo Abutment(Hex/Non-Hex)

Recommended tightening torque : NP 20Ncm / RP 30Ncm



Hex

G/H	NP		RP			
	Ø4.5	Ø5.0	Ø4.5	Ø5.0	Ø6.0	
H4.0	1			SDAR5041H	SDAR6041H	
	2			SDAR5042H	SDAR6042H	
	3			SDAR5043H	SDAR6043H	
	4			SDAR5044H	SDAR6044H	
	5			SDAR5045H	SDAR6045H	
H5.5	1	SDAN4551H	SDAN5051H	SDAR4551H	SDAR5051H	SDAR6051H
	2	SDAN4552H	SDAN5052H	SDAR4552H	SDAR5052H	SDAR6052H
	3	SDAN4553H	SDAN5053H	SDAR4553H	SDAR5053H	SDAR6053H
	4	SDAN4554H	SDAN5054H	SDAR4554H	SDAR5054H	SDAR6054H
	5			SDAR4555H	SDAR5055H	SDAR6055H
H7.0	1	SDAN4571H	SDAN5071H	SDAR4571H	SDAR5071H	SDAR6071H
	2	SDAN4572H	SDAN5072H	SDAR4572H	SDAR5072H	SDAR6072H
	3	SDAN4573H	SDAN5073H	SDAR4573H	SDAR5073H	SDAR6073H
	4	SDAN4574H	SDAN5074H	SDAR4574H	SDAR5074H	SDAR6074H
	5	SDAN4575H	SDAN5075H	SDAR4575H	SDAR5075H	SDAR6075H



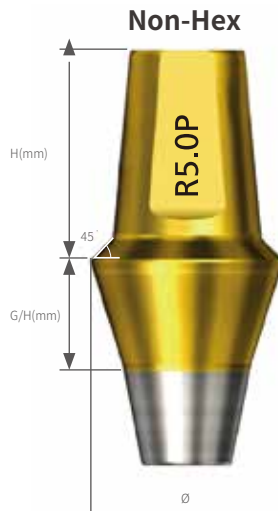
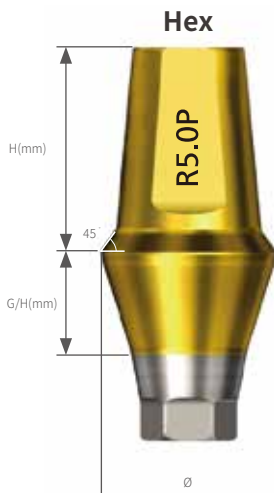
Non-Hex

G/H	NP		RP			
	Ø4.5	Ø5.0	Ø4.5	Ø5.0	Ø6.0	
H4.0	1			SDAR5041	SDAR6041	
	2			SDAR5042	SDAR6042	
	3			SDAR5043	SDAR6043	
	4			SDAR5044	SDAR6044	
	5			SDAR5045	SDAR6045	
H5.5	1	SDAN4551	SDAN5051	SDAR4551	SDAR5051	SDAR6051
	2	SDAN4552	SDAN5052	SDAR4552	SDAR5052	SDAR6052
	3	SDAN4553	SDAN5053	SDAR4553	SDAR5053	SDAR6053
	4	SDAN4554	SDAN5054	SDAR4554	SDAR5054	SDAR6054
	5			SDAR4555	SDAR5055	SDAR6055
H7.0	1	SDAN4571	SDAN5071	SDAR4571	SDAR5071	SDAR6071
	2	SDAN4572	SDAN5072	SDAR4572	SDAR5072	SDAR6072
	3	SDAN4573	SDAN5073	SDAR4573	SDAR5073	SDAR6073
	4	SDAN4574	SDAN5074	SDAR4574	SDAR5074	SDAR6074
	5	SDAN4575	SDAN5075	SDAR4575	SDAR5075	SDAR6075

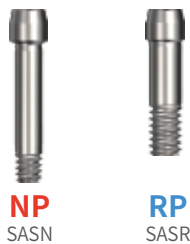
Abutment Screw



Implant Luna S



Abutment Screw



Duo Plus Abutment(Hex/Non-Hex)

Recommended tightening torque : NP 20Ncm / RP 30Ncm

Hex

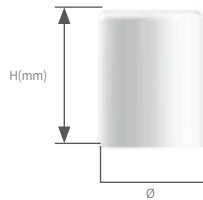
	G/H	NP		RP		
		Ø4.5	Ø5.0	Ø4.5	Ø5.0	Ø6.0
H4.0	1				SIDAR5041H	SIDAR6041H
	2				SIDAR5042H	SIDAR6042H
	3				SIDAR5043H	SIDAR6043H
	4				SIDAR5044H	SIDAR6044H
	5				SIDAR5045H	SIDAR6045H
H5.5	1	SIDAN4551H	SIDAN5051H	SIDAR4551H	SIDAR5051H	SIDAR6051H
	2	SIDAN4552H	SIDAN5052H	SIDAR4552H	SIDAR5052H	SIDAR6052H
	3	SIDAN4553H	SIDAN5053H	SIDAR4553H	SIDAR5053H	SIDAR6053H
	4	SIDAN4554H	SIDAN5054H	SIDAR4554H	SIDAR5054H	SIDAR6054H
	5			SIDAR4555H	SIDAR5055H	SIDAR6055H
H7.0	1				SIDAR5071H	SIDAR6071H
	2				SIDAR5072H	SIDAR6072H
	3				SIDAR5073H	SIDAR6073H
	4				SIDAR5074H	SIDAR6074H
	5				SIDAR5075H	SIDAR6075H

Non-Hex

	G/H	NP		RP		
		Ø4.5	Ø5.0	Ø4.5	Ø5.0	Ø6.0
H4.0	1				SIDAR5041	SIDAR6041
	2				SIDAR5042	SIDAR6042
	3				SIDAR5043	SIDAR6043
	4				SIDAR5044	SIDAR6044
	5				SIDAR5045	SIDAR6045
H5.5	1	SIDAN4551	SIDAN5051	SIDAR4551	SIDAR5051	SIDAR6051
	2	SIDAN4552	SIDAN5052	SIDAR4552	SIDAR5052	SIDAR6052
	3	SIDAN4553	SIDAN5053	SIDAR4553	SIDAR5053	SIDAR6053
	4	SIDAN4554	SIDAN5054	SIDAR4554	SIDAR5054	SIDAR6054
	5			SIDAR4555	SIDAR5055	SIDAR6055
H7.0	1				SIDAR5071	SIDAR6071
	2				SIDAR5072	SIDAR6072
	3				SIDAR5073	SIDAR6073
	4				SIDAR5074	SIDAR6074
	5				SIDAR5075	SIDAR6075

Healing Cap

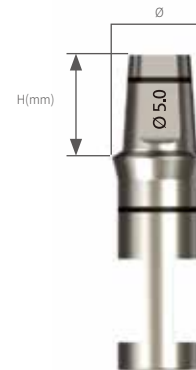
Plastic



	Ø4.0	Ø4.5	Ø5.0	Ø6.0
H4.0	SSAPC4040	SSAPC4540	SSAPC5040	SSAPC6040
H5.5	SSAPC4055	SSAPC4555	SSAPC5055	SSAPC6055
H7.0	SSAPC4070	SSAPC4570	SSAPC5070	SSAPC6070

Abutment Analog

Titanium



	Ø4.0	Ø4.5	Ø5.0	Ø6.0
H4.0	SSPAA4040	SSPAA4540	SSPAA5040	SSPAA6040
H5.5	SSPAA4055	SSPAA4555	SSPAA5055	SSPAA6055
H7.0	SSPAA4070	SSPAA4570	SSPAA5070	SSPAA6070

Burnout Cylinder

Plastic



Single

Diameter	Ø4.0	Ø4.5	Ø5.0	Ø6.0
	SSPBC40S	SSPBC45S	SSPBC50S	SSPBC60S

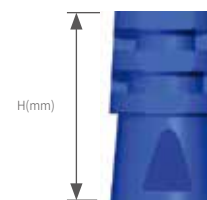


Bridge

Diameter	Ø4.0	Ø4.5	Ø5.0	Ø6.0
	SSPBC40B	SSPBC45B	SSPBC50B	SSPBC60B

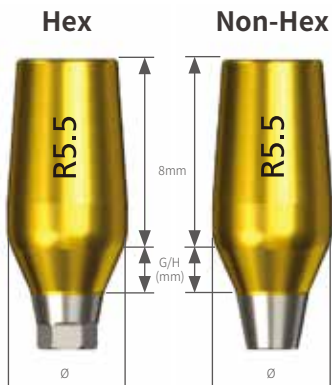
Impression Coping Cap

Plastic



Diameter	Ø4.0	Ø4.5	Ø5.0	Ø6.0
H5.5	SSPICC4055	SSPICC4555	SSPICC5055	SSPICC6055

Implant Luna S



Abutment Screw



Contour Abutment(Hex/Non-Hex)

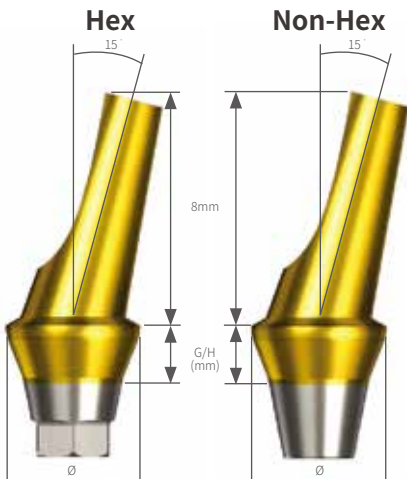
Recommended tightening torque: NP 20Ncm / RP 30Ncm

Hex

G/H	NP	RP	
	Ø4.0	Ø4.0	Ø5.5
1.5	SICAN4015H	SICAR4015H	SICAR5515H
3	SICAN4030H	SICAR4030H	SICAR5530H

Non-Hex

G/H	NP	RP	
	Ø4.0	Ø4.0	Ø5.5
1.5	SICAN4015	SICAR4015	SICAR5515
3	SICAN4030	SICAR4030	SICAR5530



Abutment Screw



Angled Abutment(Hex/Non-Hex)

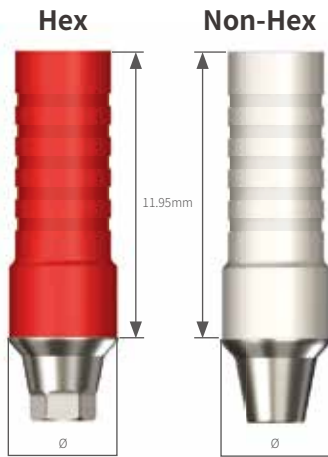
Recommended tightening torque: NP 20Ncm / RP 30Ncm

Hex

G/H	NP	RP	
	Ø4.5	Ø4.5	Ø5.5
2	SAA4515N20H	SAA4515R20H	SAA5515R20H
4	SAA4515N40H	SAA4515R40H	SAA5515R40H

Non-Hex

G/H	NP	RP	
	Ø4.5	Ø4.5	Ø5.5
2	SAA4515N20	SAA4515R20	SAA5515R20
4	SAA4515N40	SAA4515R40	SAA5515R40



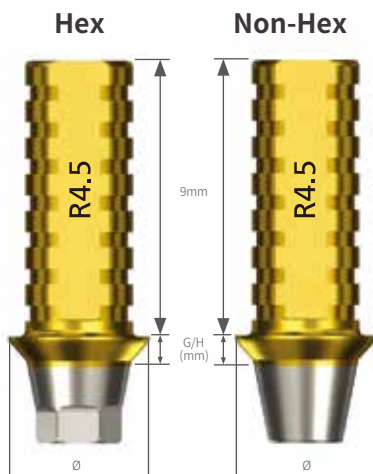
GoldCast Abutment(Hex/Non-Hex)

Recommended tightening torque : NP 20Ncm / RP 30Ncm

Hex	NP	RP
	Ø4.0	Ø4.5
	SGCAN4010H	SGCAR4510H

Non-Hex	NP	RP
	Ø4.0	Ø4.5
	SGCAN4010	SGCAR4510

Abutment Screw



Temporary Abutment(Hex/Non-Hex)

Recommended tightening torque : NP 20Ncm / RP 30Ncm

Hex	NP	RP	
	G/H	Ø4.0	Ø4.5
1	STAN4010H	STAR4510H	
2		STAR4520H	STAR5020H
3	STAN4030H	STAR4530H	STAR5030H

Non-Hex	NP	RP	
	G/H	Ø4.0	Ø4.5
1	STAN4010	STAR4510	
2		STAR4520	STAR5020
3	STAN4030	STAR4530	STAR5030

Abutment Screw

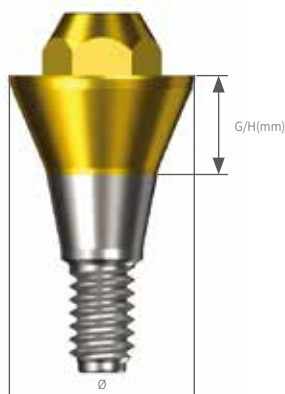


01

Implant Luna S

Screw Abutment

Recommended tightening torque : 30Ncm



G/H	NP	RP	
	Ø4.5	Ø4.5	Ø5.5
1	SSA45N10	SSA45R10	SSA55R10
2	SSA45N20	SSA45R20	SSA55R20
3	SSA45N30	SSA45R30	SSA55R30
4	SSA45N40	SSA45R40	SSA55R40
5			SSA55R50

Screw Abutment Healing Cap

Plastic



Diameter	Ø4.5	Ø5.5
Code	SAPC45A	SAPC55A

Screw Abutment Impression Coping

Titanium



Pick-Up

Diameter	Hex(Single)		Non-Hex(Bridge)	
	Ø4.5	Ø5.5	Ø4.5	Ø5.5
Code	SAPU45H	SAPU55H	SAPU45	SAPU55

Screw Abutment Impression Coping

Titanium



Transfer

Diameter	Hex(Single)		Non-Hex(Bridge)	
	Ø4.5	Ø5.5	Ø4.5	Ø5.5
Code	SAT45H	SAT55H	SAT45	SAT55

Screw Abutment Polishing Protector

Stainless steel



Diameter	Hex(Single)		Non-Hex(Bridge)	
	Ø4.5	Ø5.5	Ø4.5	Ø5.5
Code	SPP45H	SPP55H	SPP45	SPP55

Screw Abutment Analog

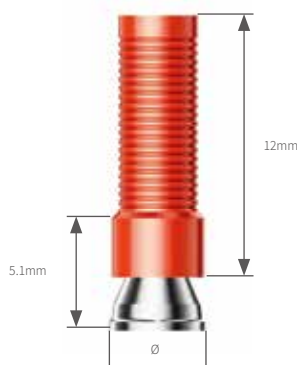
Stainless steel



Diameter	Ø4.5	Ø5.5
Code	SAA45	SAA55

Screw Abutment Gold Cylinder

Gold Alloy + Plastic



Diameter	Hex(Single)		Non-Hex(Bridge)	
	Ø4.5	Ø5.5	Ø4.5	Ø5.5
Code	SGC45SA	SGC55SA	SGC45BA	SGC55BA

Screw Abutment Titanium Cylinder

Titanium

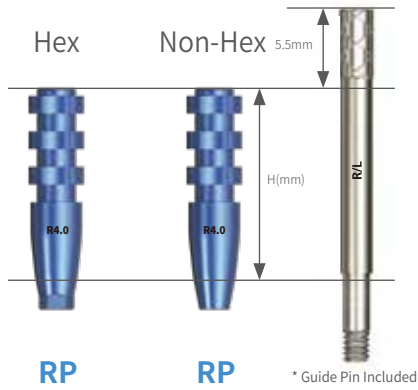


Diameter	Hex(Single)		Non-Hex(Bridge)	
	Ø4.5	Ø5.5	Ø4.5	Ø5.5
Code	STC45S	STC55S	STC45B	STC55B

Implant Luna S

Impression Coping (Hex/Non-Hex)

Titanium



Pick-Up

H	Hex		Non-Hex	
	Short	Long	Short	Long
	11	15	11	15

Hex

	NP Ø4.0	Ø4.0	RP Ø5.0	Ø6.0
Short	SFPUN40HS	SFPUR40HS	SFPUR50HS	SFPUR60HS
Long	SFPUN40HL	SFPUR40HL	SFPUR50HL	SFPUR60HL

Non-Hex

	NP Ø4.0	Ø4.0	RP Ø5.0	Ø6.0
Short	SFPUN40S	SFPUR40S	SFPUR50S	SFPUR60S
Long	SFPUN40L	SFPUR40L	SFPUR50L	SFPUR60L

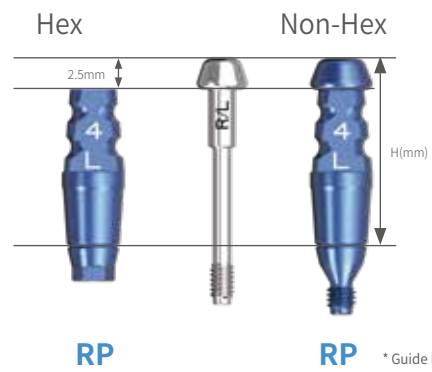
Analog

Titanium



Impression Coping (Hex/Non-Hex)

Titanium



Transfer

H	Hex		Non-Hex	
	Short	Long	Short	Long
	11	15	11	15

Hex

	NP Ø4.0	Ø4.0	RP Ø5.0	Ø6.0
Short	SFTN40HS	SFTR40HS	SFTR50HS	SFTR60HS
Long	SFTN40HL	SFTR40HL	SFTR50HL	SFTR60HL

Non-Hex

	NP Ø4.0	Ø4.0	RP Ø5.0	Ø6.0
Short	SFTN40S	SFTR40S	SFTR50S	SFTR60S
Long	SFTN40L	SFTR40L	SFTR50L	SFTR60L

Ball Abutment

Recommended tightening torque : 30Ncm



G/H	NP Ø3.5	RP Ø3.5
1	SBA35N10	SBA35R10
2	SBA35N20	SBA35R20
3	SBA35N30	SBA35R30
4	SBA35N40	SBA35R40
5	SBA35N50	SBA35R50
6	SBA35N60	SBA35R60

Ball Abutment Analog

Stainless steel



BAA45

Ball Abutment Impression Cap

Plastic



BAT00

Ball Abutment Socket

Titanium



236869-Ball Abutment Socket(Dalbo)
(CM Dalbo Plus Female)

01

Implant Luna S

Bite Impression Coping (Internal-Submerged)



NP
Ø5.0



H	4	4	4	6	6
G/H	2	3	4	4	6
	SBCN5042H	SBCN5043H	SBCN5044H	SBCN5064H	SBCN5066H

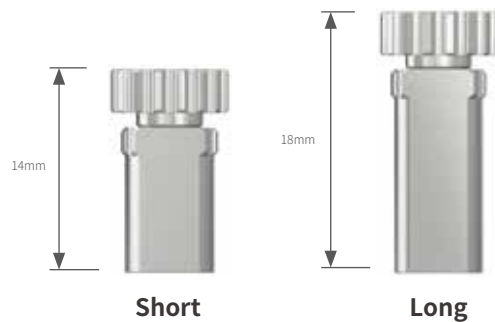
RP
Ø5.0



H	4	4	4	6	4	6	6
G/H	2	3	4	4	5	5	6
	SBCR5042H	SBCR5043H	SBCR5044H	SBCR5064H	SBCR5045H	SBCR5065H	SBCR5066H

Bite Impression Coping Driver

Type	Short (14mm)	Long (18mm)
	BCD14	BCD18





01

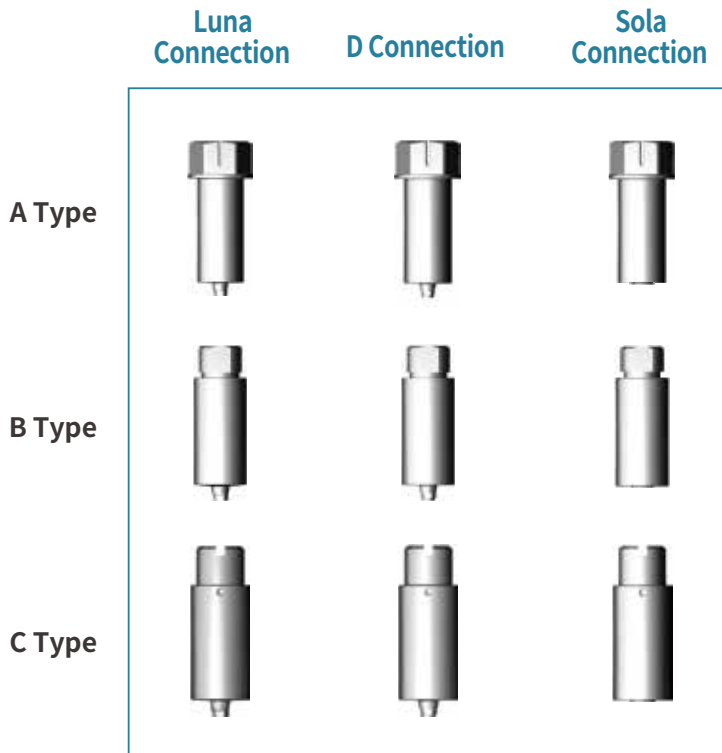
Implant Customized Abutment Ti Block

Ti Block



Packing unit 1 Abutment and 2 Screws

Types of Jigs A Dentaim B Duwonsangi, Vatech C MANIX



Type	Luna Connection				D Connection		Sola Connection					
	NP		RP		RP		NP		RP		WP	
Dia	Ø10	Ø14	Ø10	Ø14	Ø10	Ø14	Ø10	Ø14	Ø10	Ø14	Ø10	Ø14
A type	ATBN10S	ATBN14S	ATBR10S	ATBR14S	ATBR10D	ATBR14D	AETBN10S	AETBN14S	AETBR10S	AETBR14S	AETBW10S	AETBW14S
B type	BTBN10S	BTBN14S	BTBR10S	BTBR14S	BTBR10D	BTBR14D	BETBN10S	BETBN14S	BETBR10S	BETBR14S	BETBW10S	BETBW14S
C type	CTBN10S	CTBN14S	CTBR10S	CTBR14S	CTBR10D	CTBR14D	CETBN10S	CETBN14S	CETBR10S	CETBR14S	CETBW10S	CETBW14S
Screw	SASN		TBASLS		TBASDL		EASN01		EASR01		EASW01	



Instruments & Materials SISK KIT

Product Code: SISK



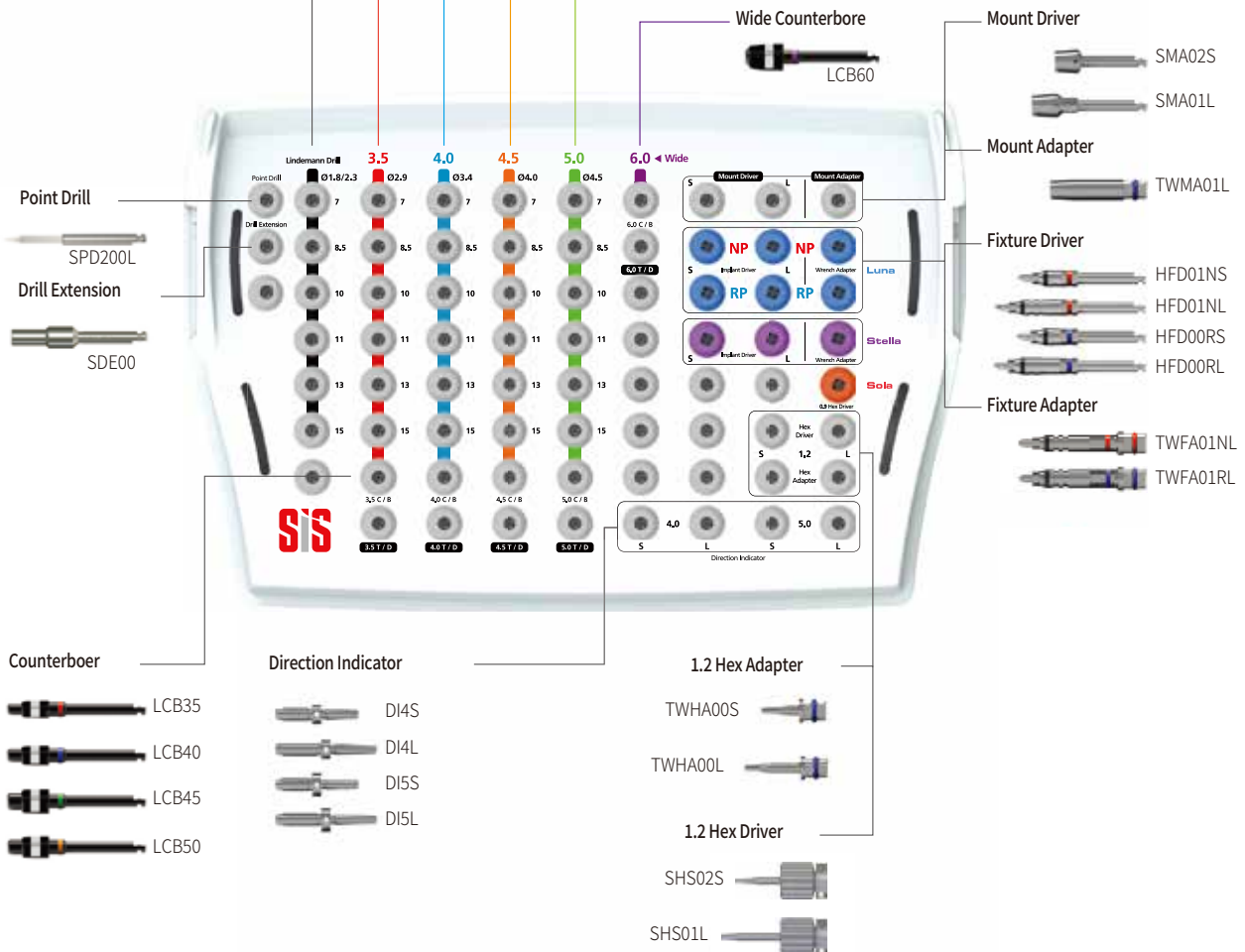
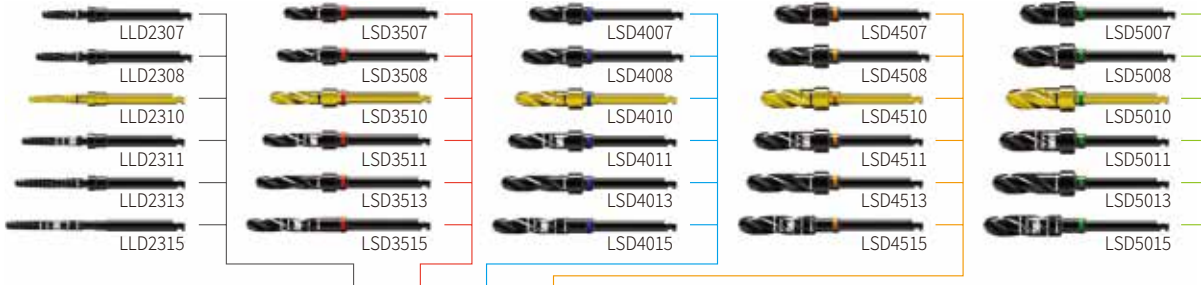
Ø1.8/2.3 Lindemann Drill

Ø3.5 Drill

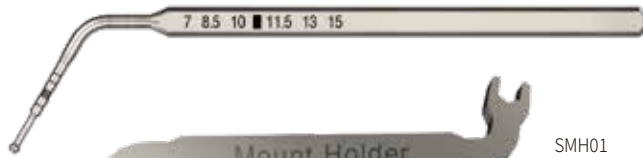
Ø4.0 Drill

Ø4.5 Drill

Ø5.0 Drill



Depth Gauge



DG00

Mount Holder



SMH01

Torque Wrench



TW00

Titanium Square Bowl



TSB01

Instruments Purchased Separately

Torque Wrench Arch



TWA00

0.9 Hex Driver



H09D02S

Handpiece Fixture Driver Short (Stella)



STHFD01S

Handpiece Fixture Driver Long (Stella)



STHFD01L

Torque Wrench Fixture Adapter Long (Stella)



STTWFA01L

Screw Tap Drill



LITD35D



LITD40D



LITD45D



LITD50D



LITD60D

Mount Tap Drill



LMTD35



LMTD40



LMTD45



LMTD50



LMTD60

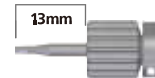
02

Instruments & Materials PROSTHETIC KIT

Product Code: SLPK02



Hex Driver Short(13mm)



SHS02S

Hex Driver Long(16mm)



SHS01L

Handpiece Hex Driver Short



SHHS00S

Handpiece Hex Driver Long



SHHS00L

Torque Wrench Hex Adapter Short



TWHA00S

Torque Wrench Hex Adapter Long



TWHA00L

Handpiece Mount Driver Short



SMA01S

Torque Wrench Mount Adapter Short



TWMA00S

Torque Wrench



TW00

Instruments & Materials

REPAIR KIT

Product Code: SRK00

Used to remove abutments or screw fractures



Luna Drill Guide NP



RKLNGN

Luna Drill Guide RP



RKLNGR

Sola Drill Guide NP



RKSLGN

Sola Drill Guide RP



RKSLGR

Stella Drill Guide RP



RKSTG

M Internal Drill Guide



RKMIG

Screw Removal Drill NP



RKSRDN

Screw Removal Drill RP



RKSRDR

Removal Round Drill



RKRRD

Screw Remover Tap



RKSRT

Abutment Remover NP



RKARN

Abutment Remover RP



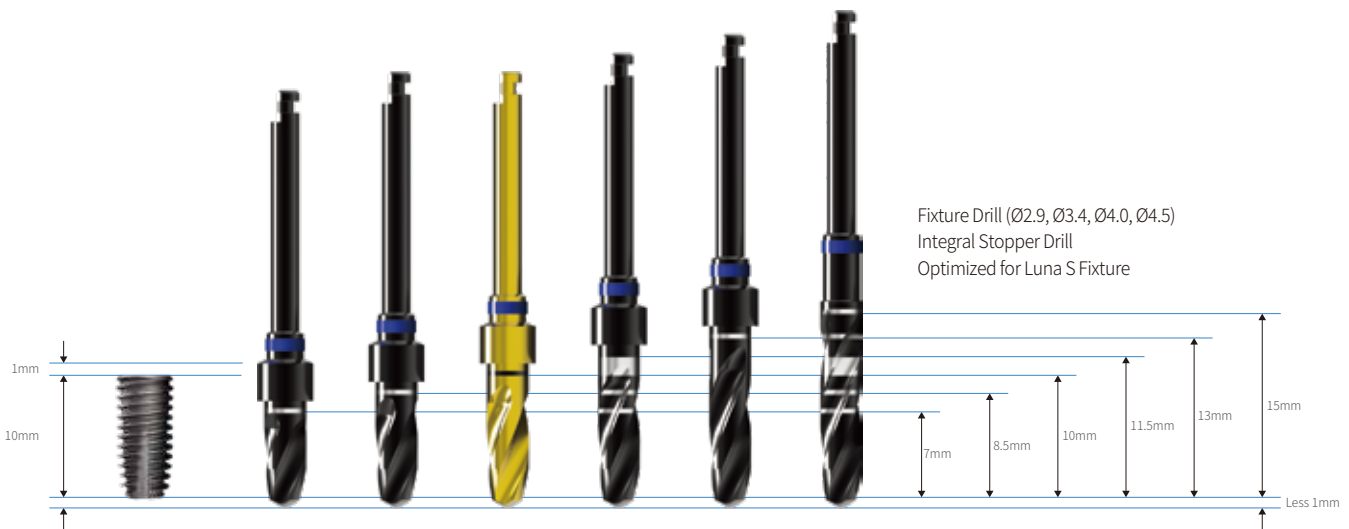
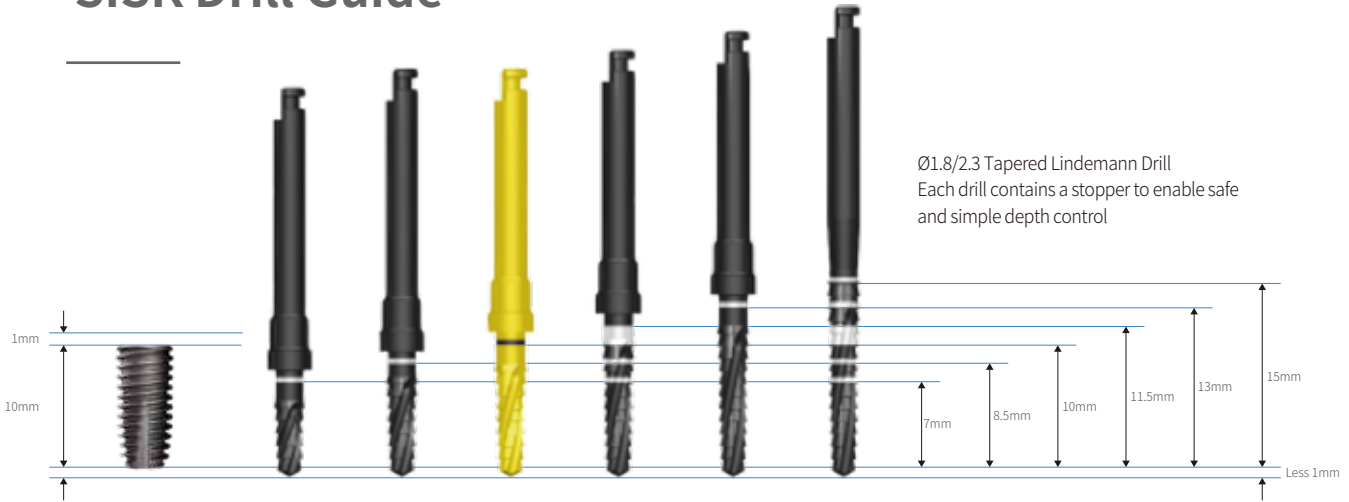
RKARR

Guide Holder



RKGH00

Instruments & Materials SISK Drill Guide



The distance between making position and stopper is 1mm
The commonly used 10mm drill is coated with Tin (Yellow color) for easy distinction
10, 8.5, 10, & 11.5mm marks on 11.5mm drill for a short-length fixture operation
7, 8.5, 10, 11.5, 13, & 15mm marks on 15mm drill for all length operations

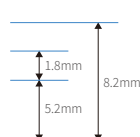
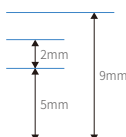
Ø3.5

Ø4.0

Ø4.5

Ø5.0

Ø6.0

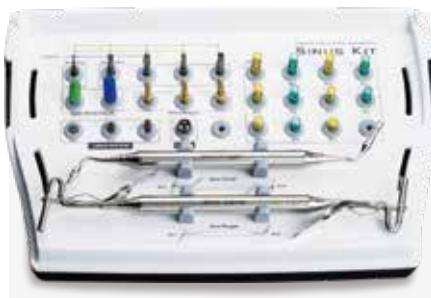


Used for 3 different types of bone quality
-Medium / Hard / Extra Hard
Counter Bore (Ø3.5, Ø4.0, Ø4.5, Ø5.0, Ø6.0)
Enhanced cutting force
Optimized for the upper part of Luna S Fixture

Instruments & Materials

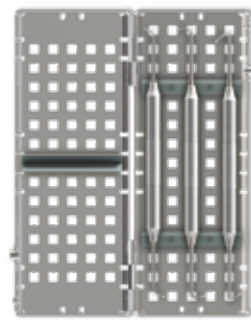
SIS Sinus Crestal & Lateral Kit

The SIS Sinus Kit is specially designed for successful Crestal & Lateral Sinus Membrane Lifting operation. It enables a quick and easy cutting of the Sinus Floor and allows safe hydraulic lifting of the Sinus Membrane using Hydro Membrane Lift.



Sinus Crestal Kit

SSCA00
*Lateral Drill Set option



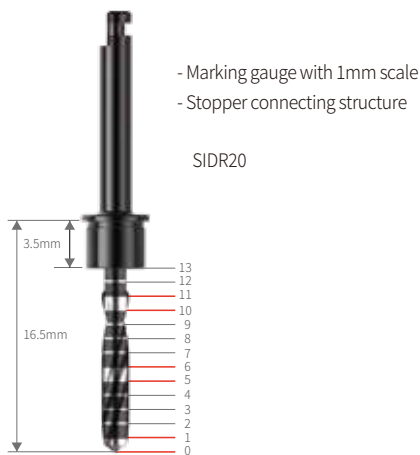
Sinus Curette Set

SHSC

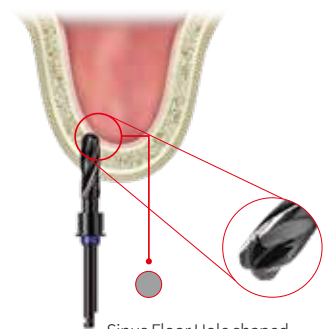


Watch an actual surgery video clip

Ø2.0 Twist Drill



Sinus Drill



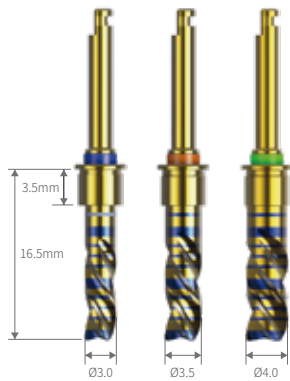
Sinus Floor Hole shaped
When using Dome Type Sinus Drill,
it decreases the risk of
membrane perforation
and forms Sinus Floor Hole
in a round shape

- A Round Dome Type drill which allows rapid cutting of the Sinus Floor and protects the Sinus Membrane during Maxillary sinus surgery
- 4 types of Sinus Drill depending on the diameter for sufficient fixation when placing implants(Ø4.0, 4.5, 5.0) in Maxillary sinus surgery
- Easy to remove even on inclined planes
- Stopper connecting structure
- Rotational speed : 400-600 rpm

SIDR27, SIDR32, SIDR37, SIDR42

Instruments & Materials SIS Sinus Crestal & Lateral Kit

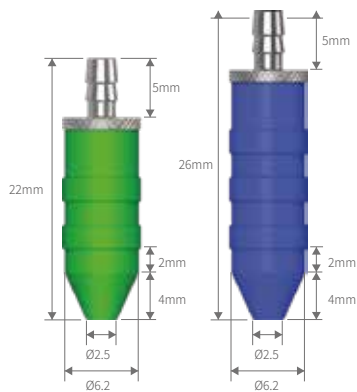
Rotary Pluggers



- Using a counter-rotating screw, the bone graft material can be easily lifted with little pressure.
- It can clean around the entrance when the sinus floor partially penetrated
- After an initial bone grafting, it enters into the maxillary sinus and allows bone grafting in a wide dome shape.
- Stopper can be connected.



Hydro Membrane Lift



- With Sinus Drill, it is possible to check if a hole has been created in the Sinus Floor through hydraulic pressure.
- If a hole is created, elevation of the sinus membrane is performed through hydraulic pressure.
- It consists of 2 Types : Long Type and Short Type.
- Can be applied to both Sinus Crestal and Lateral Approach.
- Minimize the damage of the membrane.



▲ Sinus Crestal Approach

▲ Sinus Lateral Approach

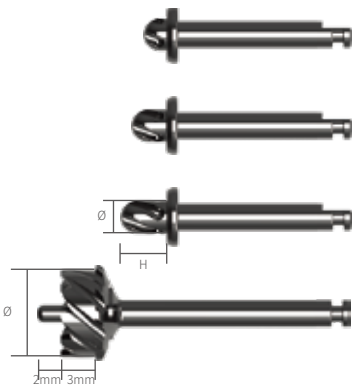
Stoppers

- It has 11 types from 2mm to 12mm with 1.0mm intervals based on the height of protrusion of the Drill Tip
- Different colors depending on length for distinction purposes; Yellow for Even length, and Green for Odd length
- Stopper-connected products : Ø2.0 Twist Drill, 4 types of Sinus Drill, 3 types of Rotary Plugger, Bone Plugger, and Depth Gauge



Protruding height	2mm	3mm	4mm	5mm	6mm	7mm	8mm	9mm	10mm	11mm	12mm
Product Code	SIST02	SIST03	SIST04	SIST05	SIST06	SIST07	SIST08	SIST09	SIST010	SIST011	SIST012

Lateral Drills & Trepine Drill



Lateral Drills

- Ø2.8 / Length : 2mm, 3mm, 4mm
- Drilling depth is controlled with an effective stopper system.
- With Round Dome Type drill, Sinus Floor can be cut precisely and rapidly

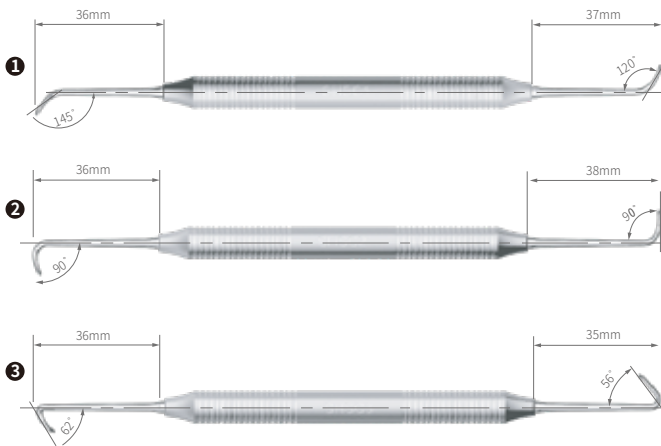
SIDR2802, SIDR2803, SIDR2804

Trepine Drill

- Ø7.5 / Guide 2mm, Total 5mm
- Minimizes damage to the maxillary sinus mucosa and shorten the treatment time

SITD7503

Sinus Curettes



Tips for Using Sinus Curettes

1. Use curette **1**, peel away the membrane in the immediate vicinity of the removed bone window and then continue distally
2. Use curette **2** to separate the bone and sinus membrane towards the crest
3. Use curette **3** (along with **2**), to separate the bone and membrane towards the anterior
 - ※ If there is good access, use **2**, if there is poor access use **3**
4. With curette **1** (and **2**), raise the membrane on the medial side
 - ※ We recommend the shorter end of the curettes be use initially and when the membrane has been elevated slightly, the longer end be used

SHSC1, SHSC2, SHSC3

Bone Carrier



SKBC00

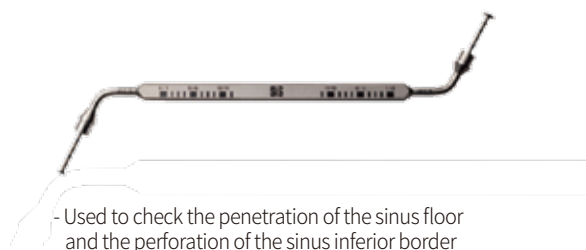
Bone Plugger



- Stopper connecting structure

SKBP00

Depth Gauge



- Used to check the penetration of the sinus floor and the perforation of the sinus inferior border
- Stopper connecting structure

SKDG00

Titanium Bowl



TSB01

Instruments & Materials SIS Bone Profiler

Characteristics

- Removing excess bone around the implant head and connection
- No need for a guide pin / No connection to the fixture
- Contouring the crest of bone at the osteotomy site for proper seating of the abutments, impression copings and the final prosthetics
- Removing excess bone without damaging the implant shoulders

How to Use

- Connect to the engine handpiece
- Rotational speed: Recommended below 400rpm
- Direction of Rotation: clockwise

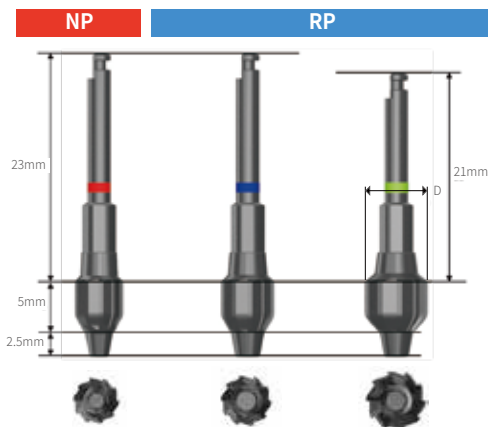
- * Bones can be removed by rotating Bone Profiler Handle manually
- * Improve the efficiency by reducing the hassle of setting the motor for secondary surgery

BONE PROFILER HANDLE
Product Code : ^273495



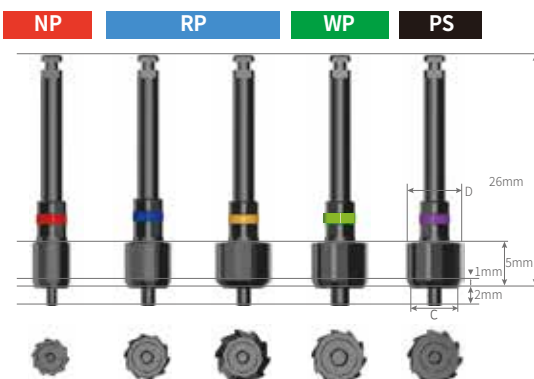
Line-up

Luna S Internal



Diameter of Fixture	Maximum Diameter(D)	Diameter of Healing Abutment	Product Code
NP Ø3.5	Ø5.0	Ø4.0/4.5	SBPN50A
RP Ø4.0 / 4.5	Ø5.5	Ø4.0/4.5/5.0	SBPR55A
RP Ø5.0	Ø6.5	Ø6.0	SBPR65A

Sola S External



Diameter of Fixture	Maximum Diameter(D)	Connection Diameter(C)	Diameter of Healing Abutment	Product Code
NP Ø3.5	Ø4.2	Ø3.7	Ø4.0	EBPN42
RP Ø4.0	Ø5.2	Ø4.3	Ø5.0	EBPR52
RP Ø4.0	Ø6.2	Ø4.3	Ø6.0	EBPR62
WP Ø5.0 / 6.0	Ø6.2	Ø5.3	Ø6.0	EBPW62
PS Ø5.0	Ø6.2	Ø5.2	Ø6.0	EBPI62



Shinhung.co.,Ltd.

450, Cheongpa-ro, Jung-gu, Seoul, Korea
Tel : 82-2-6366-2175 / Fax : 82-2-6366-2131
E-mail : export@shinhung.co.kr
www.shinhung.com

Shinhung Dental INC

6131 Orangethorpe Ave Suite 410, Buena Park, CA 90620, USA
Tel : 562-550-0001
E-mail : yohan@shinhungdental.com
www.shinhungdental.com